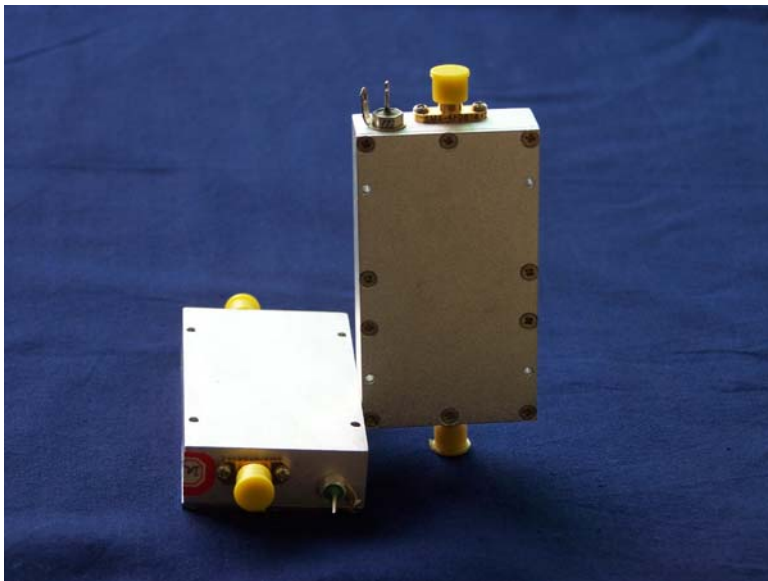


Test Report

for GPS L1/GLONASS L1 TRUNK AMPLIFIER



Model: HXTA00GGANP60C

Chengdu HAIKIN MICROWAVE Technology Co., Ltd

Add: Chengdu 610091, China

Tel: +86-28-87089208

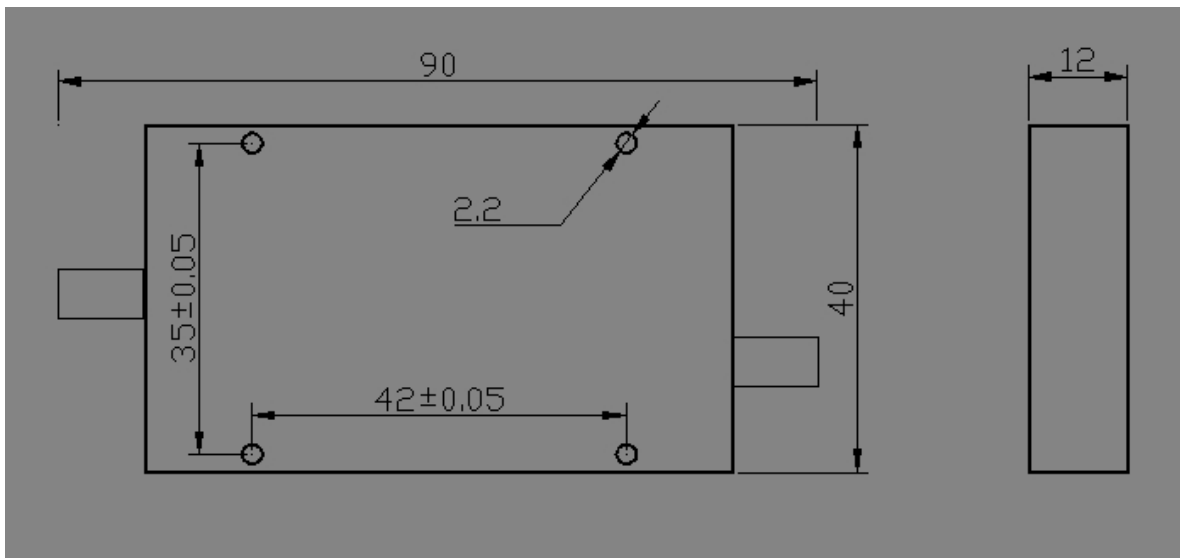
Website: www.hxmicrowave.com

Fax: +86-28-87089208

Email: sale@hxmicrowave.com

Specification

1. Frequency: GPS L1:1575.42MHz±5MHz
GLONASS L1:1602MHz±8MHz
2. Gain: 60±2dB
3. OUT PUT P1dB:12dBm
4. Noise: ≤2dB
5. Impedance : 50 Ω
6. VSWR : ≤2:1
7. Power requirements: Voltage: 7~12VDC
Current: ≤70mA
8. Connector: SMA female
9. Operating Temperature : -40℃~+85℃
10. Store Temperature : -55℃~+85℃
11. Weight: ≈ 50 g
12. Size: 90mm×40mm×18mm



Test Instruments

Agilent 83630B
HP8563E
HP8720D

Chengdu HAXIN MICROWAVE Technology Co., Ltd

Add: Chengdu 610091, China

Tel: +86-28-87089208

Website: www.hxmicrowave.com

Fax: +86-28-87089208

Email: sale@hxmicrowave.com



Test Results

1. Gain

Frequency (GHz)	Gain (dBi)
1.575	60.8
1.602	60.1

2. NOISE

Frequency (GHz)	NF (dB)
1.575	1.5
1.602	1.52